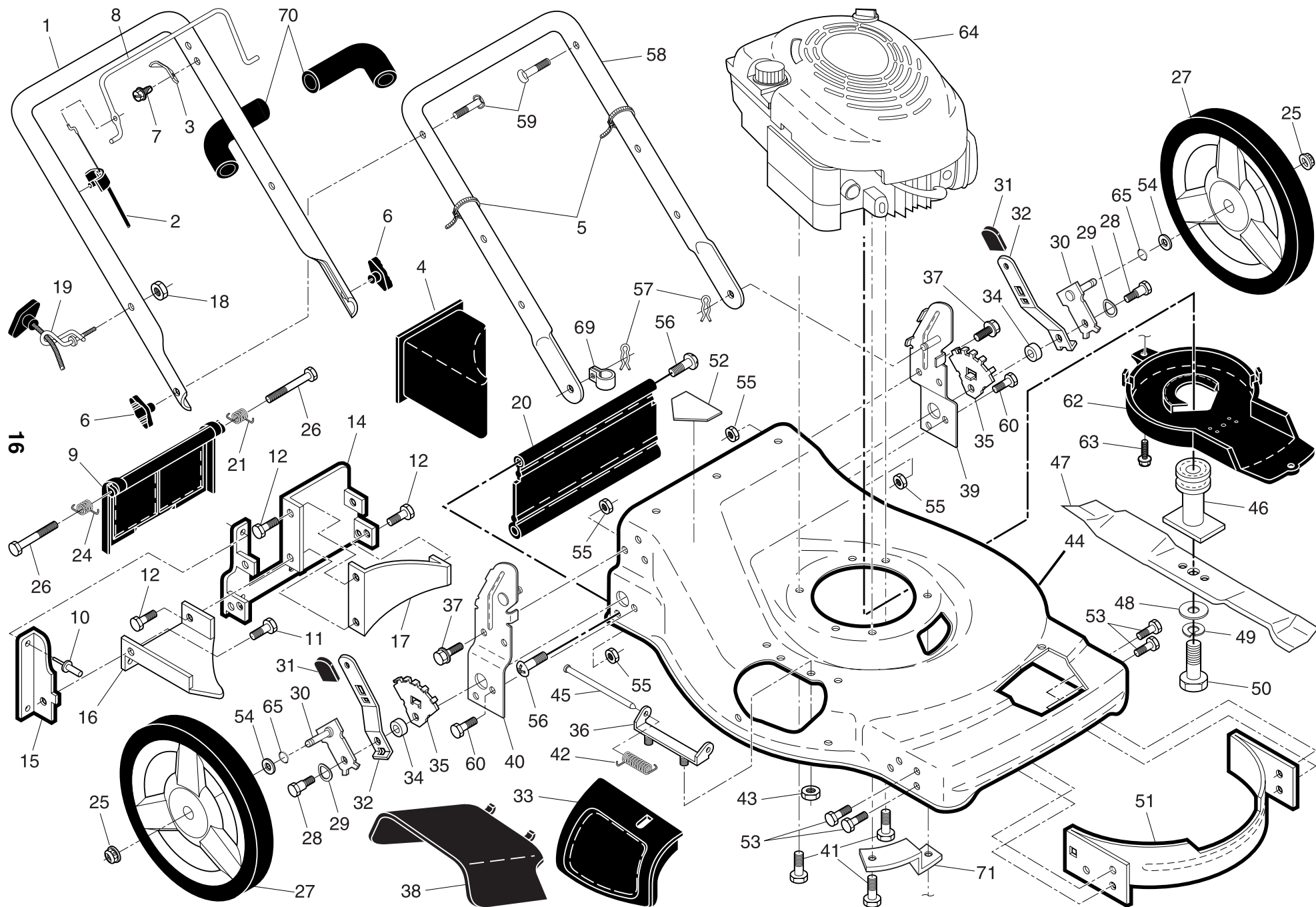


ROTARY LAWN MOWER - - MODEL NUMBER 62522SH (96143000905) - PRODUCT NUMBER 961 43 00-09



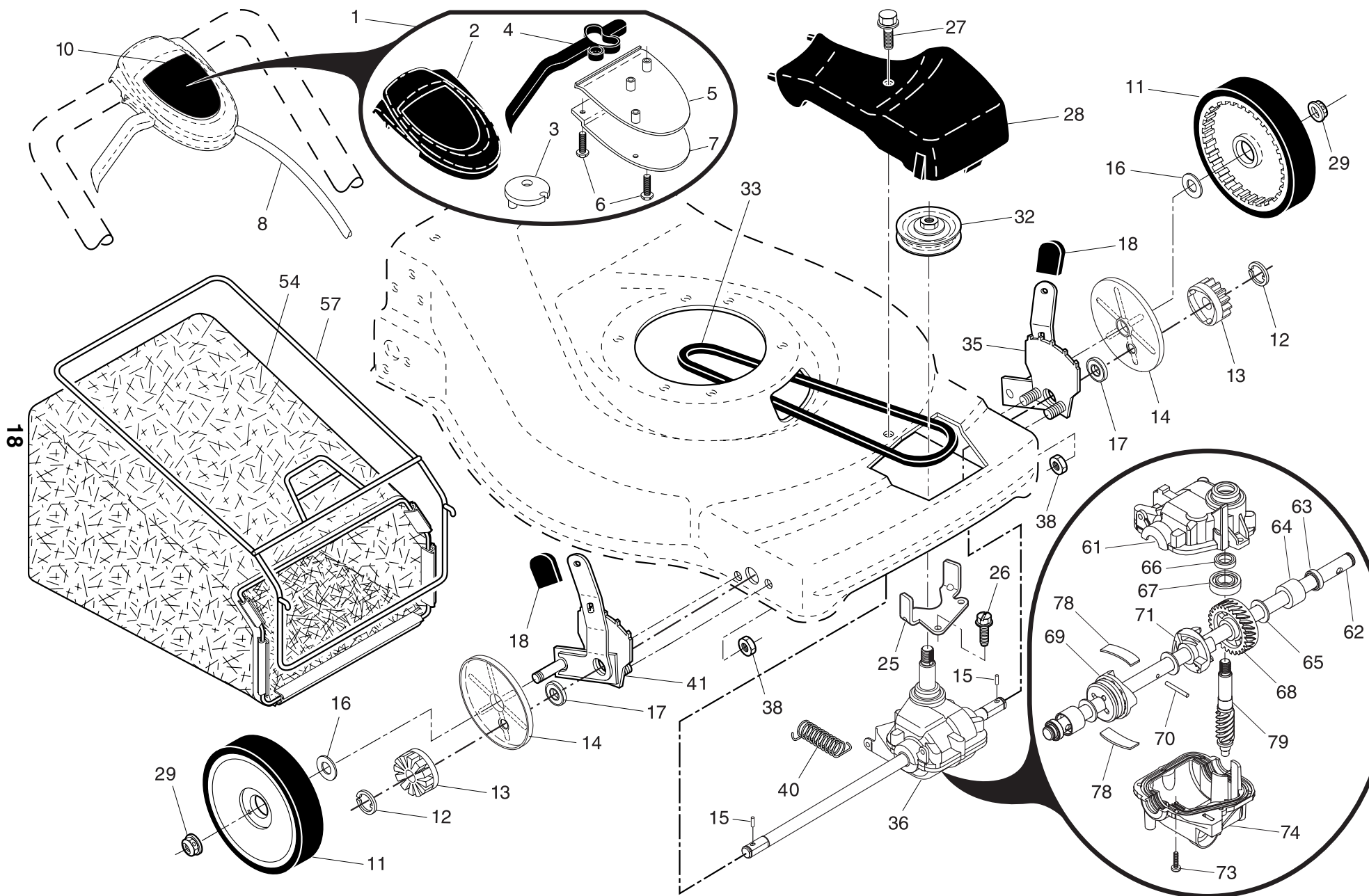
ROTARY LAWN MOWER - - MODEL NUMBER **62522SH** (96143000905) - PRODUCT NUMBER 961 43 00-09

KEY NO.	PART NO.	DESCRIPTION	KEY NO.	PART NO.	DESCRIPTION
1	532 19 99-82	Upper Handle (Includes Foam Grip)	38	532 40 38-19	Discharge Deflector
2	532 18 35-67	Engine Zone Control Cable	39	532 19 71-50	Handle Bracket Assembly, LH
3	532 12 51-62	Bracket, Upstop	40	532 19 71-51	Handle Bracket Assembly, RH
4	532 16 66-49	Mulcher Plug	41	532 15 04-06	Bolt, Engine
5	532 06 64-26	Wire Tie	42	532 19 30-00	Spring, Torsion
6	532 19 18-56	Handle Knob	43	873 80 04-00	Nut, Hex, Nylock
7	532 75 06-34	Screw	44	532 41 33-87	Kit, Lawn Mower Housing (Includes Key Numbers 14, 15 and 51)
8	532 19 70-19	Control Bar	45	532 17 56-50	Rod, Hinge
9	532 40 84-92	Rear Door Assembly	46	532 19 40-37	Blade Adapter / Pulley
10	532 12 84-15	Pop Rivet	47	532 40 67-13	Blade, 22"
11	532 15 00-50	Screw, Self-Tapping #10-24 x 5/8	48	532 85 10-74	Washer, Hardened
12	532 05 45-83	Screw, Hex Hex Head, Sems 1/4-20 x 1/2	49	532 85 02-63	Washer, Helical
14	532 19 70-76	Back Plate	50	532 85 10-84	Screw, Machine, Hex Head 3/8
15	532 41 13-34	Side Baffle	51	532 17 00-31	Front Baffle
16	532 17 71-33	Discharge Baffle	52	532 40 47-63	Danger Decal
17	532 14 89-41	Rear Baffle	53	817 60 04-06	Screw
18	532 13 20-04	Keps Locknut 1/4-20	54	532 08 83-48	Washer
19	532 19 47-88	Rope Guide	55	532 75 15-92	Locknut, Hex 3/8-16
20	532 18 90-08	Rear Skirt	56	532 08 86-52	Screw, Hinge 1/4-20 x 1-1/4
21	532 40 54-21	Spring, Rear Door, LH	57	532 05 17-93	Hairpin Cotter
24	532 40 54-23	Spring, Rear Door, RH	58	532 15 34-06	Lower Handle
25	532 14 52-12	Nut, Hex, Flanged	59	532 19 15-74	Handle Bolt
26	532 18 41-93	Bolt, Rear Door	60	874 76 06-12	Bolt
27	532 41 34-01	Wheel, Rear	61	532 75 15-92	Nut
28	532 14 27-48	Bolt, Shoulder 3/8-16 x 1	62	532 40 58-42	Debris Shield
29	532 40 16-30	Washer, Curved, Cylindrical	63	532 19 23-25	Screw, Debris Shield
30	532 40 65-82	Axle Arm Assembly	64	- - -	Engine, Briggs & Stratton, Model Number 122T02 (Order parts from Engine manufacturer)
31	532 19 64-01	Selector Knob	65	532 19 74-80	O-Ring
32	532 40 98-89	Selector Spring	69	532 19 79-91	Clip, Cable
33	532 19 70-29	Mulcher Door	70	532 18 27-48	Foam Grip
34	532 40 16-29	Spacer	71	532 19 09-39	Mounting Bracket, Debris Shield
35	532 41 06-26	Wheel Adjusting Bracket	- -	532 40 47-64	Warning Decal (not shown)
36	532 17 57-35	Hinge Bracket Assembly	- -	532 41 08-49	Owner's Manual, English/French
37	532 15 00-78	Screw, Sems, Thread Cutting 5/16-18 x 3/4			

NOTE: All component dimensions given in U.S. inches. 1 inch = 25.4 mm

IMPORTANT: Use only Original Equipment Manufacturer (O.E.M.) replacement parts. Failure to do so could be hazardous, damage your lawn mower and void your warranty.

ROTARY LAWN MOWER - - MODEL NUMBER 62522SH (96143000905) - PRODUCT NUMBER 961 43 00-09



ROTARY LAWN MOWER - - MODEL NUMBER **62522SH** (96143000905) - PRODUCT NUMBER 961 43 00-09

KEY NO.	PART NO.	DESCRIPTION
1	532 40 73-16	Drive Control Assembly (Includes Cable)
2	532 41 16-73	Cover, Drive Control, Top
3	532 40 62-82	Pulley
4	532 19 00-39	Lever, Drive Control
5	532 41 16-64	Cover, Drive Control, Bottom
6	532 18 16-98	Screw, Torx Head #8 x 5/8
7	532 40 07-23	Mounting Bracket, Drive Control
8	532 40 62-59	Cable, Drive Control
10	532 18 93-78	Decal, Drive Control
11	532 41 10-81	Wheel & Tire Assembly
12	812 00 00-58	E-Ring
13	532 40 38-49	Gear, Pinion
14	532 18 94-03	Dust Cover
15	532 19 10-17	Drive Pawl
16	532 06 77-25	Washer, Flat 3/8
17	532 19 10-39	Bearing, Wheel Adjuster
18	532 19 64-01	Selector Knob
25	532 41 16-63	Belt Keeper
26	532 16 34-09	Screw, Hi-Lo Thread #12 x 5/8
27	532 17 52-62	Pan Head Tapping Screw #10-24 x 2-3/4
28	532 19 73-70	Drive Cover
29	532 40 91-48	Locknut, Hex
32	532 19 40-18	Drive Pulley
33	532 19 68-57	V-Belt

KEY NO.	PART NO.	DESCRIPTION
35	532 40 88-62	Kit, Wheel Adjuster, LH (Includes Knob and Bearing)
36	532 40 48-34	Gear Case Assembly, Complete
38	873 80 04-00	Locknut, Hex 1/4-20
40	532 40 65-58	Spring
41	532 40 88-61	Kit, Wheel Adjuster, RH (Includes Knob and Bearing)
54	532 41 06-83	Grassbag Assembly
57	532 40 74-54	Frame, Grassbag
61	532 41 07-26	Case, Upper
62	532 41 07-28	Shaft, Output
63	532 18 35-08	Seal, Output Shaft
64	532 18 35-11	Bushing
65	532 18 35-09	Washer
66	532 18 35-14	Seal, Worm Shaft
67	532 18 35-06	Bearing, Ball
68	532 41 07-29	Gear, 28 Teeth
69	532 41 07-32	Fixed Dog Clutch
70	532 41 07-33	Pin
71	532 41 07-30	Movable Dog Clutch
73	532 18 35-13	Screw, Case
74	532 41 07-34	Case, Lower
78	532 41 07-31	Spring, Leaf
79	532 41 07-27	Shaft, Worm

NOTE: All component dimensions given in U.S. inches. 1 inch = 25.4 mm

IMPORTANT: Use only Original Equipment Manufacturer (O.E.M.) replacement parts. Failure to do so could be hazardous, damage your lawn mower and void your warranty.